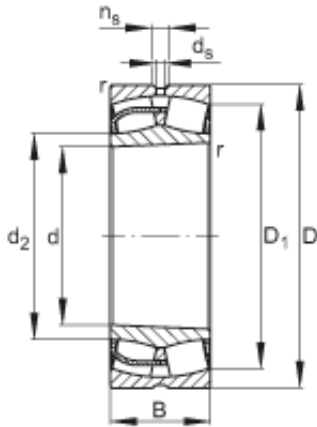




BEARINGS PRODUCTION WHOLESale CO., LTD



150 mm x 250 mm x 100 mm FAG
24130-E1-K30 spherical roller bearings

Bearing No. 24130-E1-K30

24130-E1-K30 Bearing 2D drawings and 3D CAD models

Size	150x250x100 mm
Bore Diameter	150 mm
Outer Diameter	250 mm
Width	100 mm
d	150 mm
D	250 mm
B	100 mm
D ₁	213 mm
D _{a max}	238 mm
d ₂	170,3 mm
d _{a min}	162 mm
d _s	4,8 mm
n _s	9,5 mm
r _{a max}	2,1 mm
r _{min}	2,1 mm
m	20,2 kg / Weight
C _r	1050000 N / Dynamic load rating (radial)
e	0,37
Y ₁	1,83
Y ₂	2,72
C _{0r}	1520000 N / Static load rating (radial)
Y ₀	1,79



BEARINGS PRODUCTION WHOLESale CO., LTD

n_G	2370 1/min / Limiting speed
n_B	1280 1/min
C_{ur}	148000 N / Fatigue limit load, radial