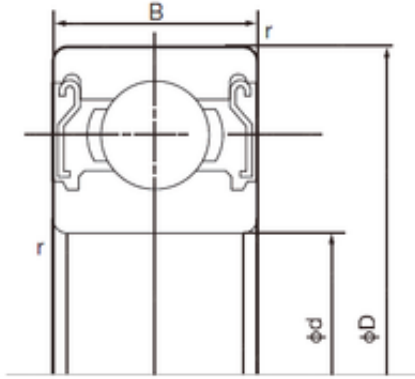




BEARINGS PRODUCTION WHOLESALE CO., LTD

17 mm x 26 mm x 5 mm NACHI 6803ZZE deep groove ball bearings



Bearing No. 6803ZZE

6803ZZE Bearing 2D drawings and 3D CAD models

Size	17x26x5 mm
Bore Diameter	17 mm
Outer Diameter	26 mm
Width	5 mm
d	17 mm
D	26 mm
B	5 mm
C	5 mm
r min.	0.3 mm
da min.	19 mm
Da max.	24 mm
ra max.	0.3 mm
Weight	0.008 Kg
Basic dynamic load rating (C)	2,63 kN
Basic static load rating (C0)	1,57 kN
Category	Single Row Ball Bearings
Inventory	0.0
Manufacturer Name	NACHI
Minimum Buy Quantity	N/A
Weight / Kilogram	0.009
Product Group	B00308
Enclosure	2 Metal Shields
Precision Class	ABEC 1 ISO P0
Maximum Capacity / Filling Slot	No



BEARINGS PRODUCTION WHOLESALE CO., LTD

Rolling Element	Ball Bearing
Snap Ring	No
Internal Special Features	No
Internal Clearance	C0-Medium
Inch - Metric	Metric
Long Description	17MM Bore; 26MM Outside Diameter; 5MM Outer Race Diameter; 2 Metal Shields; Ball Bearing; ABEC 1 ISO P0; No Filling Slot; No Snap Ring; No Internal Special Features
Category	Single Row Ball Bearing
UNSPSC	31171504
Harmonized Tariff Code	8482.10.50.68
Noun	Bearing
Keyword String	Ball
Manufacturer URL	http://www.nachi.com
Manufacturer Item Number	6803 ZZE BS2S
Weight / LBS	0.02
Bore	0.669 Inch 17 Millimeter
Outer Race Width	0.197 Inch 5 Millimeter
Outside Diameter	1.024 Inch 26 Millimeter
Bore Type	Cylindrical Bore
Configuration	Single Row
Bore Size	17 mm
Width	5 mm
Fillet Radius/Chamfer	0.3 mm
Dynamic Load Rating	2,630 N
Static Load Rating	1,570 N
Limiting Speed - Grease	26,000 rpm
Factor fo	16.1
Radial Clearance	0.003 to 0.018 mm
da (min)	19 mm



BEARINGS PRODUCTION WhOLESALE CO., LTD

Da (max)	24 mm
ra (max)	0.3 mm