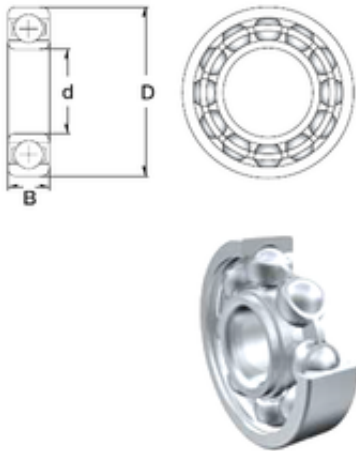




# BEARINGS PRODUCTION WHOLESALE CO., LTD



8 mm x 16 mm x 4 mm ZEN S688 deep groove ball bearings

Bearing No. S688

Size	8x16x4 mm
Bore Diameter	8 mm
Outer Diameter	16 mm
Width	4 mm
d	8 mm
D	16 mm
B	4 mm
C	4 mm
Basic dynamic load rating (C)	1,252 kN
Basic static load rating (C0)	0,592 kN
(Grease) Lubrication Speed	36000 r/min

S688 Bearing 2D drawings and 3D CAD models